

Simplified Single Line Diagram (SLD) Template

Rule 21 Non Export - Protection Option 3

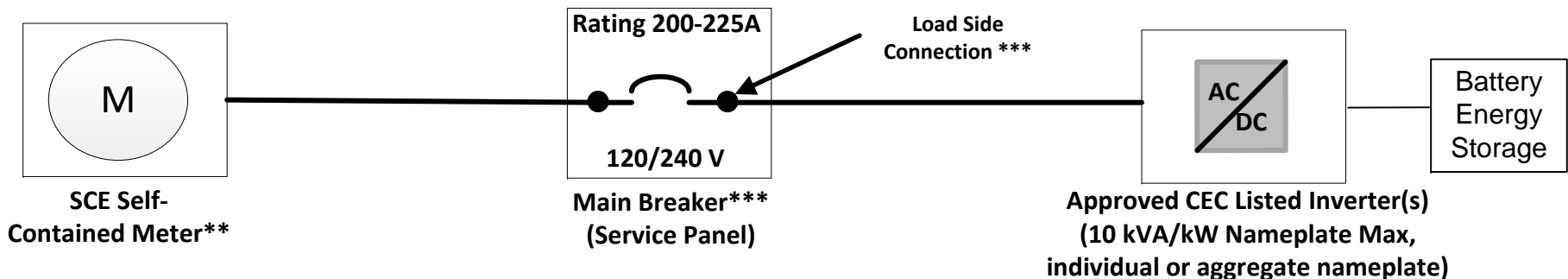
Storage systems with inverter nameplate rating less than or equal to 10 kVA/kW

X By submitting this document in connection with a Rule 21 Interconnection Request*, the Applicant certifies that the Simplified Single Line Diagram (SLD) represents an accurate configuration of the Generating Facility and that the information accurately represents the Interconnection Customer's (IC's) service equipment, all generation at the Generating Facility is comprised of battery energy storage, and that the Generating Facility is connecting to the load side of the IC's main service breaker

By submitting this document in connection with a Rule 21 Interconnection Request, the Applicant certifies that the following requirements and parameters of the Generating Facility and energy storage system are true:

- X**
- A) The IC's service panel rating is equal to 200 - 225 Amps and the voltage rating is 120/240 Volts
 - B) The SCE metering is a self-contained meter
 - C) The IC elects Rule 21 Non-Export Protection Option #3 for all generation at the Generating Facility.
 - D) The aggregate inverter nameplate is equal to or less than 10 kVA/kW
 - E) The inverter(s) selected must be from the CEC list of approved inverters
 - F) The IC will not charge the energy storage system to increase the Generating Facility's maximum peak demand
 - G) The point of connection is on the load side of the main breaker(Note: Line side tap connections cannot use this template)

Simplified Single Line Diagram (SLD)****



* Capitalized terms shall have the meaning set forth in Rule 21

** The IC shall not install any equipment in SCE's metering section(s) and must comply with SCE's Electric Service Requirements (ESR)

*** Other equipment (such as breakers, fuses, wiring, disconnects, etc.) as may be required to connect the battery energy storage generator to the load side of the IC's main breaker shall meet local requirements and must be approved by the Authority Having Jurisdiction (AHJ)

**** The simplified SLD represents only the equipment and arrangement required by SCE for interconnection for this specific application. Local jurisdictions may have additional requirements

SCE reserves the right to require a project specific SLD as may be required for SCE to evaluate specific project information

Disclaimer: This SLD Template (Template) is intended for use exclusively to request interconnection to Southern California Edison's (SCE) Distribution System pursuant to Rule 21. The Template may not be submitted to any third party or Governmental Authority for the purpose of obtaining approval of the Interconnection Customer's Generating Facility. SCE is not responsible for the design of the Interconnection Customer's Generating Facility and in no way certifies that the Template accurately represents the Generating Facility or that the Generating Facility meets the requirements of any Governmental Authority having jurisdiction.

Simplified Template Single Line Diagram (SLD)

Rule 21 Non Export - Protection Option 6

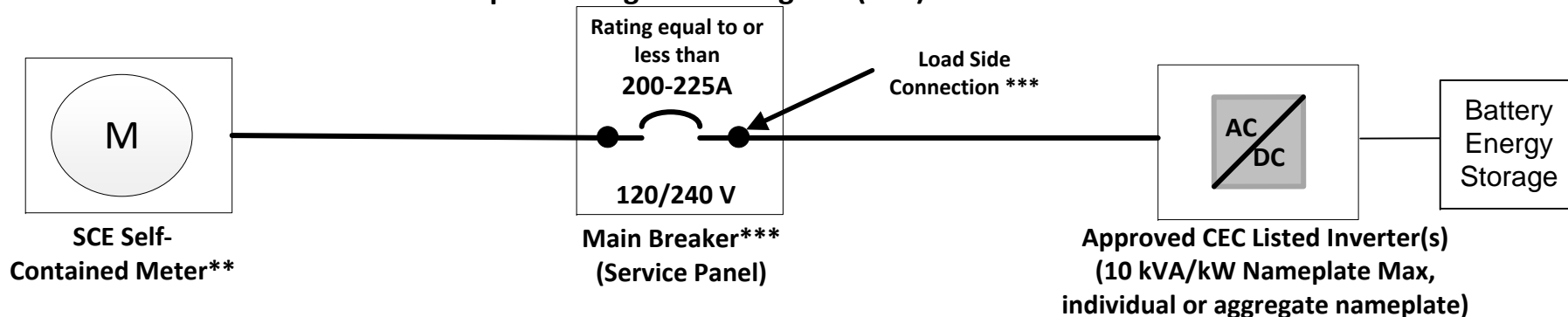
Storage systems with inverter nameplate rating less than or equal to 10 kVA/kW

X By submitting this document in connection with a Rule 21 Interconnection Request*, the Applicant certifies that the Simplified Single Line Diagram (SLD) represents an accurate configuration of the Generating Facility and that the information accurately represents the Interconnection Customer's (IC's) service equipment, all generation at the Generating Facility is comprised of battery energy storage, and that the Generating Facility is connecting to the load side of the IC's main service breaker

By submitting this document in connection with a Rule 21 Interconnection Request, the Applicant certifies that the following requirements and parameters of the Generating Facility and energy storage system are true:

- X**
- A) The energy storage system is utilizing a certified UL 1741 CRD power control system or a SCE pre-approved power control system that meets the Rule 21 section Mm (Option 6) requirements
 - B) The IC's service panel rating is equal to or less than 200 - 225 Amps and the voltage rating is 120/240 Volts
 - C) The SCE metering is a self-contained meter
 - D) The IC elects Rule 21 Non-Export Protection Option #6 for all generation at the Generating Facility.
 - E) The aggregate inverter nameplate is equal to or less than 10 kVA/kW
 - F) The inverter(s) selected must be from the CEC list of approved inverters
 - G) The IC will not charge the energy storage system to increase the Generating Facility's maximum peak demand
 - H) The point of connection is on the load side of the main breaker (Note: Line side tap connections cannot use this template)

Simplified Single Line Diagram (SLD)****



* Capitalized terms shall have the meaning set forth in Rule 21

** The IC shall not install any equipment in SCE's metering section(s) and must comply with SCE's Electric Service Requirements (ESR)

*** Other equipment (such as breakers, fuses, wiring, disconnects, etc.) as may be required to connect the battery energy storage generator to the load side of the IC's main breaker shall meet local requirements and must be approved by the Authority Having Jurisdiction (AHJ)

**** The simplified SLD represents only the equipment and arrangement required by SCE for interconnection for this specific application. Local jurisdictions may have additional requirements

SCE reserves the right to require a project specific SLD as may be required for SCE to evaluate specific project information

Simplified Single Line Diagram (SLD) Template Net Energy Metering – Photovoltaic Systems only

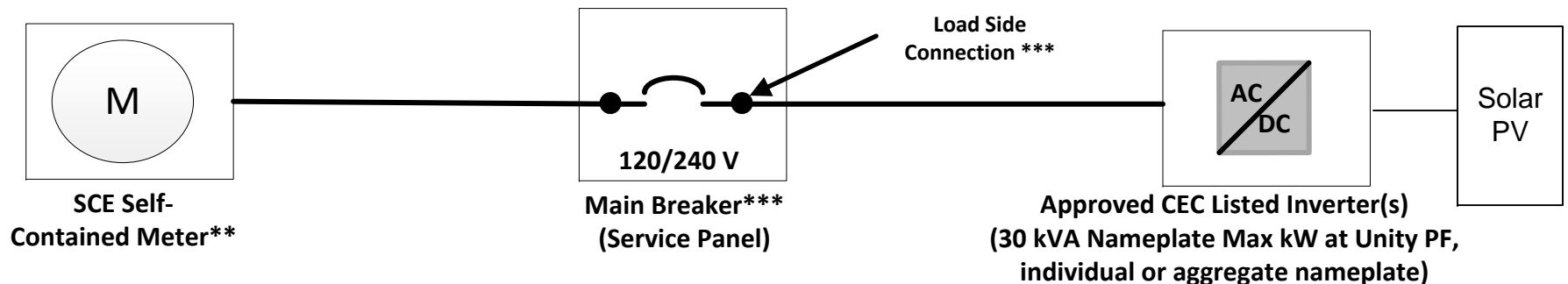
Systems with inverter nameplate rating less than or equal to 30 kVA (kW at Unity PF)

By submitting this document in connection with a Rule 21 Interconnection Request*, the Applicant certifies that the Simplified Single Line Diagram (SLD) represents an accurate configuration of the Generating Facility and that the information accurately represents the Interconnection Customer's (IC's) service equipment, all generation at the Generating Facility is comprised of Inverter Based using Photovoltaic Systems, and that the Generating Facility is connecting to the load side of the IC's main service breaker

By submitting this document in connection with a Rule 21 Interconnection Request, the Applicant certifies that the following requirements and parameters of the Generating Facility are true:

- A) The SCE metering is a self-contained meter
- B) The point of connection is on the load side of the main breaker (Note: Line side tap connections can use this template)
- C) The aggregate inverter nameplate is equal to or less than 30 kVA (kW at Unity PF)
- D) The inverter(s) selected must be from the CEC list of approved inverters

Simplified Single Line Diagram (SLD)****



* Capitalized terms shall have the meaning set forth in Rule 21

** The IC shall not install any equipment in SCE's metering section(s) and must comply with SCE's Electric Service Requirements (ESR)

*** Other equipment (such as breakers, fuses, wiring, disconnects, etc.) as may be required to connect the solar PV generator to the load side of the IC's main breaker shall meet local requirements and must be approved by the Authority Having Jurisdiction (AHJ)

**** The simplified SLD represents only the equipment and arrangement required by SCE for interconnection for this specific application. Local jurisdictions may have additional requirements

SCE reserves the right to require a project specific SLD as may be required for SCE to evaluate specific project information

Disclaimer: This SLD Template (Template) is intended for use exclusively to request interconnection to Southern California Edison's (SCE) Distribution System pursuant to Rule 21. The Template may not be submitted to any third party or Governmental Authority for the purpose of obtaining approval of the Interconnection Customer's Generating Facility. SCE is not responsible for the design of the Interconnection Customer's Generating Facility and in no way certifies that the Template accurately represents the Generating Facility or that the Generating Facility meets the requirements of any Governmental Authority having jurisdiction.

Simplified Single Line Diagram (SLD) Template

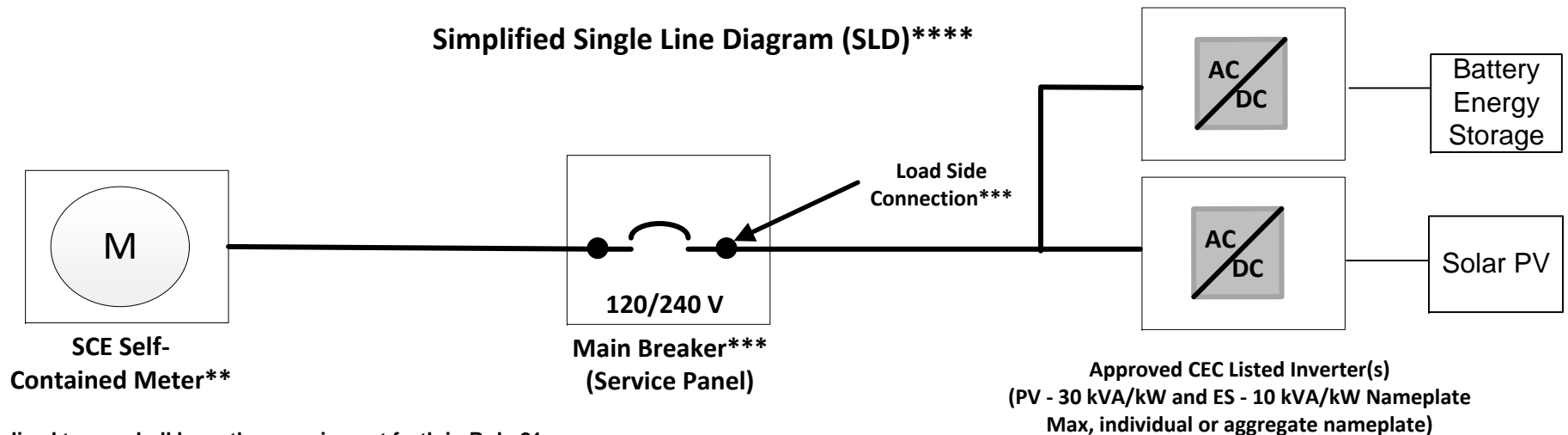
Net Energy Metering Pair AC Coupled – Solar Photovoltaic and Battery Energy Storage Systems

Systems with Inverter PV nameplate rating less than or equal to 30 kVA (kW at Unity PF)

& Inverter Battery Energy Storage Systems nameplate rating less than or equal to 10 kVA (kW at Unity PF)

- X** By submitting this document in connection with a Rule 21 Interconnection Request*, the Applicant certifies that the Simplified Single Line Diagram (SLD) represents an accurate configuration of the Generating Facility and that the information accurately represents the Interconnection Customer's (IC's) service equipment, all generation at the Generating Facility is comprised of Inverter based AC coupled Solar Photovoltaic Systems and Battery Energy Storage Systems. The Generating Facility must connect to the load side of the IC's main service breaker
- X** By submitting this document in connection with a Rule 21 Interconnection Request, the Applicant certifies that the following requirements and parameters of the Generating Facility are true:
- The SCE metering is a self-contained meter
 - The point of connection is on the load side of the main breaker (Note: Line side tap connections cannot use this template)
 - The aggregate inverter nameplate of the PV is equal to or less than 30 kVA/kW and the aggregate inverter nameplate of the battery energy storage system is equal to or less than 10 kVA/kW
 - The inverter(s) selected must be from the CEC list of approved inverters

Simplified Single Line Diagram (SLD)****



* Capitalized terms shall have the meaning set forth in Rule 21

** The IC shall not install any equipment in SCE's metering section(s) and must comply with SCE's Electric Service Requirements (ESR)

*** Other equipment (such as breakers, fuses, wiring, disconnects, etc.) as may be required to connect the generator to the load side of the customer's main breaker shall meet local requirements and must be approved by the Authority Having Jurisdiction (AHJ)

**** The simplified SLD represents only the equipment and arrangement required by SCE for interconnection for this specific application. Local jurisdictions may have additional requirements

SCE reserves the right to require a project specific SLD as may be required for SCE to evaluate specific project information

Disclaimer: This SLD Template (Template) is intended for use exclusively to request interconnection to Southern California Edison's (SCE) Distribution System pursuant to Rule 21. The Template may not be submitted to any third party or Governmental Authority for the purpose of obtaining approval of the Interconnection Customer's Generating Facility. SCE is not responsible for the design of the Interconnection Customer's Generating Facility and in no way certifies that the Template accurately represents the Generating Facility or that the Generating Facility meets the requirements of any Governmental Authority having jurisdiction.

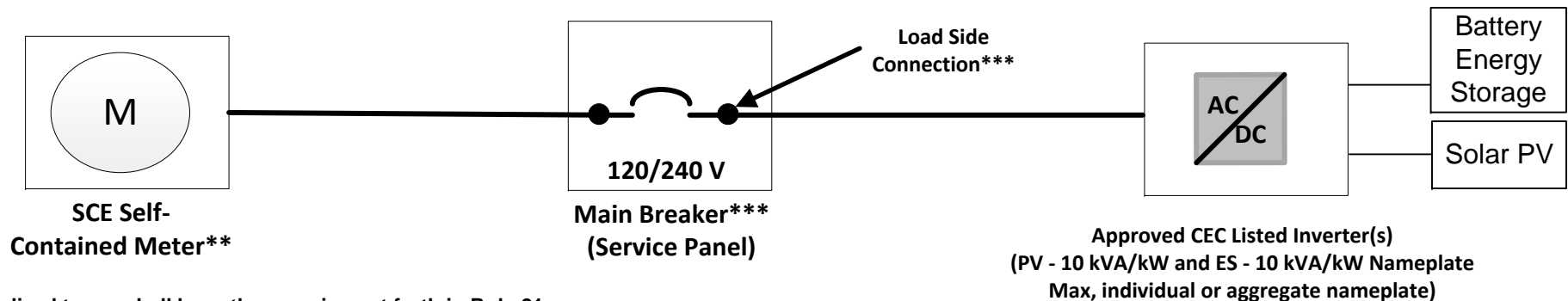
Simplified Single Line Diagram (SLD) Template

Net Energy Metering Pair DC Coupled – Solar Photovoltaic and Battery Energy Storage Systems

Systems with Inverter Solar PV nameplate rating less than or equal to 10 kVA (kW at Unity PF). See Note E) for inverters nameplate sized up to 30KVA(kW at Unity PF)

- X** By submitting this document in connection with a Rule 21 Interconnection Request*, the Applicant certifies that the Simplified Single Line Diagram (SLD) represents an accurate configuration of the Generating Facility and that the information accurately represents the Interconnection Customer's (IC's) service equipment, all generation at the Generating Facility is comprised of Inverter based DC coupled Solar Photovoltaic Systems and Battery Energy Storage Systems. The Generating Facility must connect to the load side of the IC's main service breaker
- X** By submitting this document in connection with a Rule 21 Interconnection Request, the Applicant certifies that the following requirements and parameters of the Generating Facility are true:
- A) The SCE metering is a self-contained meter
 - B) The point of connection is on the load side of the main breaker(Note: Line side tap connections cannot use this template)
 - C) The aggregate inverter nameplate of the solar PV and battery energy storage system is equal to or less than 10 kVA/kW
 - D) The inverter(s) selected must be from the CEC list of approved inverters
 - E) For Inverter rating greater than 10KVA up to 30KVA, the battery energy storage system must have technical specifications of maximum continuous output rating equal to or less than 10kW

Simplified Single Line Diagram (SLD)****



* Capitalized terms shall have the meaning set forth in Rule 21

** The IC shall not install any equipment in SCE's metering section(s) and must comply with SCE's Electric Service Requirements (ESR)

*** Other equipment (such as breakers, fuses, wiring, disconnects, etc.) as may be required to connect the generator to the load side of the customer's main breaker shall meet local requirements and must be approved by the Authority Having Jurisdiction (AHJ)

**** The simplified SLD represents only the equipment and arrangement required by SCE for interconnection for this specific application. Local jurisdictions may have additional requirements

SCE reserves the right to require a project specific SLD as may be required for SCE to evaluate specific project information

Disclaimer: This SLD Template (Template) is intended for use exclusively to request interconnection to Southern California Edison's (SCE) Distribution System pursuant to Rule 21. The Template may not be submitted to any third party or Governmental Authority for the purpose of obtaining approval of the Interconnection Customer's Generating Facility. SCE is not responsible for the design of the Interconnection Customer's Generating Facility and in no way certifies that the Template accurately represents the Generating Facility or that the Generating Facility meets the requirements of any Governmental Authority having jurisdiction.